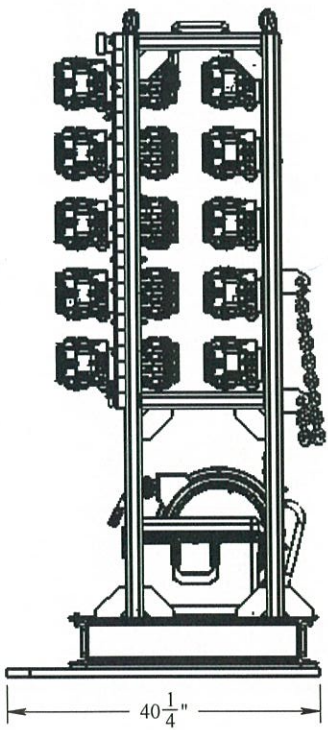
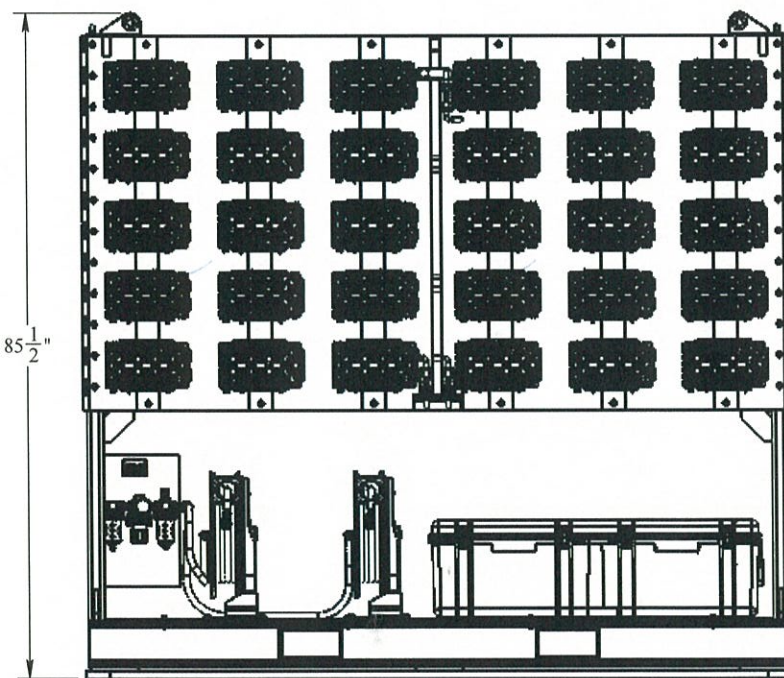
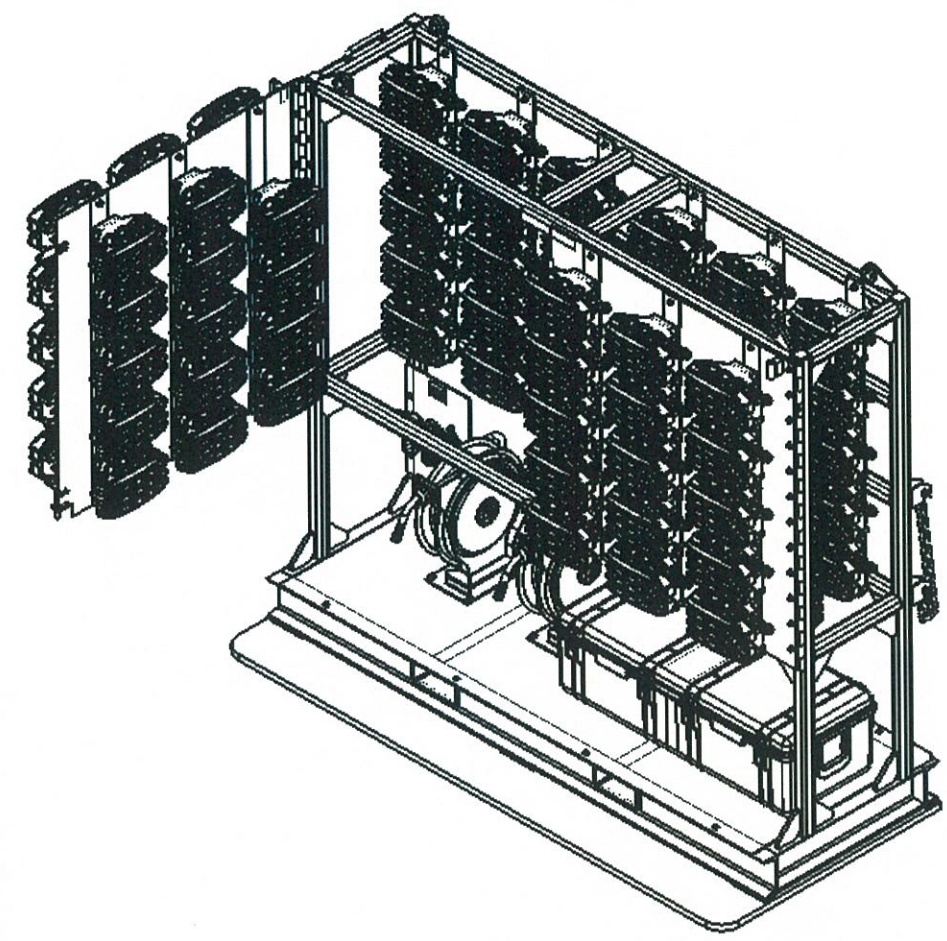
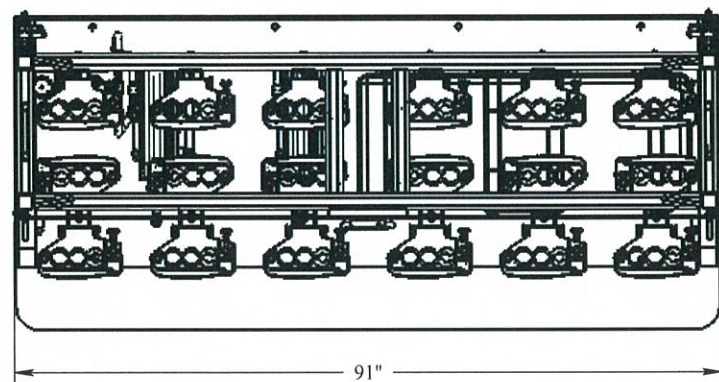


8 7 6 5 4 3 2 1

REVISIONS				
REV.	DESCRIPTION	ECO #	DATE	APPROVED
B1	ADDED BASEPLATE	2015-002	1/19/2015	GIB



- RACK FEATURES:**
1. TWO AIR REELS WITH 50FT. HOSE
 2. THREE AIR RATCHETS
 3. AIR REGULATOR, FILTER, AND REGULATOR
 4. TOOLBOX
 5. SAFETY CHAINS FOR STABILITY
 6. LIFTING EYES
 7. FORKLIFT SLOTS
 8. RACK CAN HOLD 88 DGD CLAMPS

<p>PROPRIETARY AND CONFIDENTIAL: THE INFORMATION CONTAINED IN THIS DRAWING IS THE SOLE PROPERTY OF THE SUBSEA COMPANY INC. ANY REPRODUCTION IN PART OR AS A WHOLE WITHOUT THE WRITTEN PERMISSION OF THE SUBSEA COMPANY INC IS PROHIBITED.</p> <p>3RD ANGLE PROJECTION:</p> <p>INTERPRET GEOMETRIC TOLERANCING PER: ASME Y14.5</p>	<p>WORKMANSHIP STANDARD PER WI 751-001</p>	<table border="1"> <tr> <th>NAME</th> <th>DATE</th> </tr> <tr> <td>DRAWN: GREG</td> <td>1-19-15</td> </tr> <tr> <td>CHECKED: COREY</td> <td>1-19-15</td> </tr> <tr> <td>Q.A.:</td> <td>Russ 1-19-15</td> </tr> <tr> <td>MFG APPR.:</td> <td>T. PAUL 1-19-15</td> </tr> </table>	NAME	DATE	DRAWN: GREG	1-19-15	CHECKED: COREY	1-19-15	Q.A.:	Russ 1-19-15	MFG APPR.:	T. PAUL 1-19-15		<p>THE SUBSEA COMPANY INC</p>	<p>REV</p>
	NAME	DATE													
DRAWN: GREG	1-19-15														
CHECKED: COREY	1-19-15														
Q.A.:	Russ 1-19-15														
MFG APPR.:	T. PAUL 1-19-15														
<p>UNLESS OTHERWISE SPECIFIED: ALL DIMENSIONS ARE IN INCHES</p> <p>WEIGHT: 4300 LBS.</p>	<p>SIZE</p> <p>B</p>	<p>TITLE:</p> <p>STAND ASSEMBLY, DGD MUX CLAMP</p>	<p>REV</p> <p>B1</p>	<p>DWG. NO. TSC-01151-GA</p>	<p>SHEET 1 OF 1</p>										

8 7 6 5 4 3 2 1