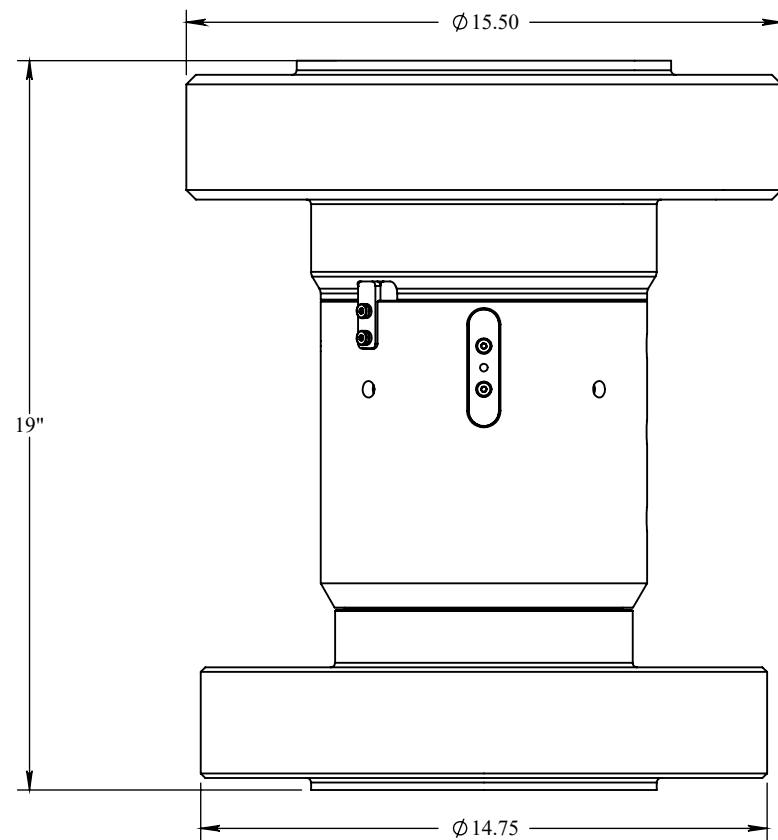
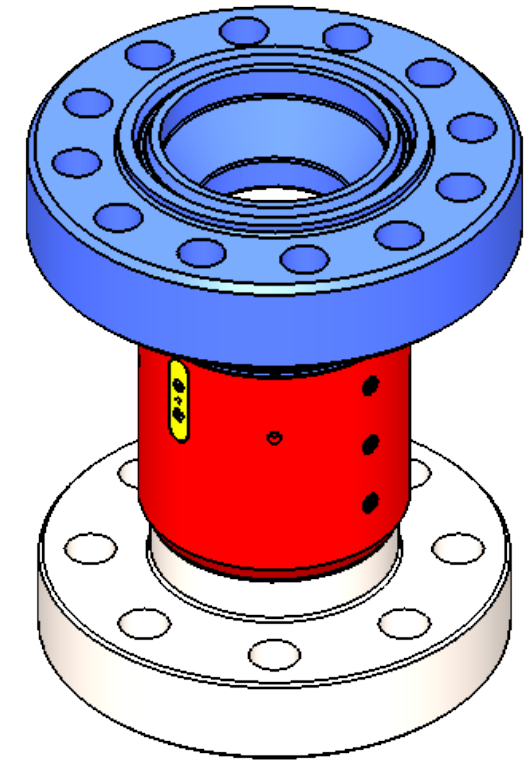
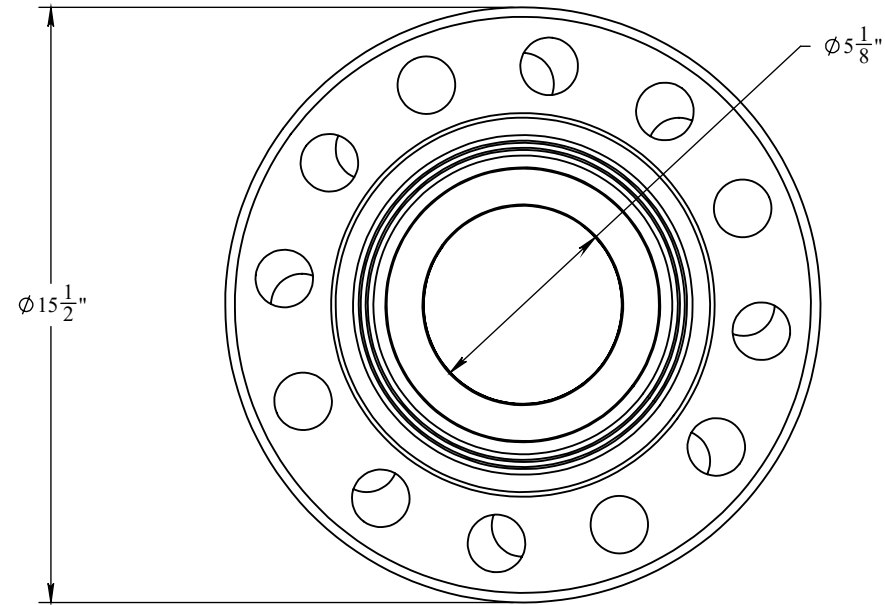
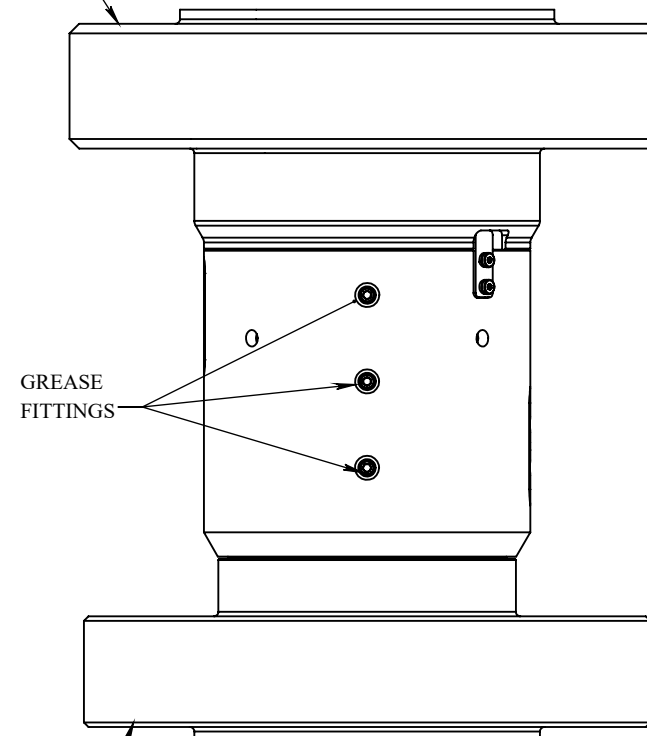


REVISIONS				
REV.	DESCRIPTION	ECO #	DATE	APPROVED
A2	RELEASE	10/21/2024	10/21/2024	



7-1/16" API 6A, TYPE 6B, 5,000 PSI,
FLANGE WITH R46 RING GROOVE



5-1/8" API 6A, TYPE 6B, 5,000 PSI,
FLANGE WITH R44 RING GROOVE

- NOTES:
1. MINIMUM ID: 5-1/8"
 2. MAXIMUM WORKING PRESSURE: 2,000 PSI
 3. SPECIFICATIONS MEET: API 6A, API 17D, NACE MR0175

PROPRIETARY AND CONFIDENTIAL: THE INFORMATION CONTAINED IN THIS DRAWING IS THE SOLE PROPERTY OF THE SUBSEA COMPANY INC. ANY REPRODUCTION IN PART OR AS A WHOLE WITHOUT THE WRITTEN PERMISSION OF THE SUBSEA COMPANY INC IS PROHIBITED.	WORKMANSHIP STANDARD PER WI 751-001	NAME DATE	THE SUBSEA COMPANY INC	REV A2
		DRAWN CHECKED APPROVED		
3RD ANGLE PROJECTION: 	INTERPRET GEOMETRIC TOLERANCING PER: ASME Y14.5	UNLESS OTHERWISE SPECIFIED: ALL DIMENSIONS ARE IN INCHES		SIZE B
WEIGHT: 356.38LBS.		TITLE: SWIVEL, 5-1/8" 5M R44 FLANGE BY 7-1/16" 5M R46 FLANGE		DWG. NO. TSC-02935-GA SHEET 1 OF 1