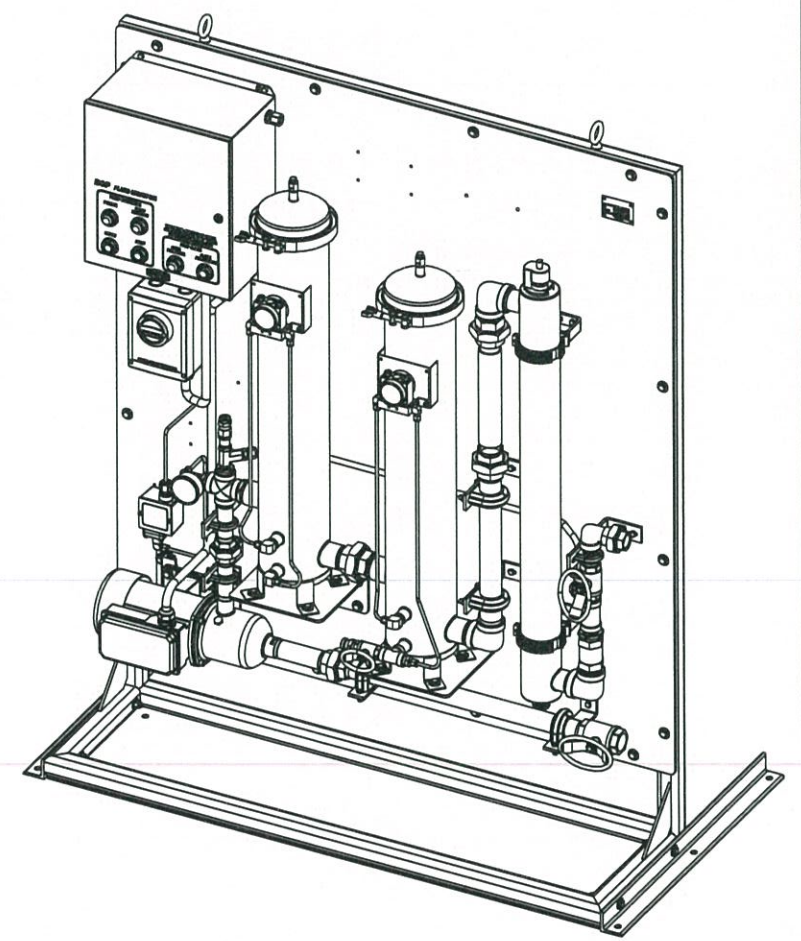
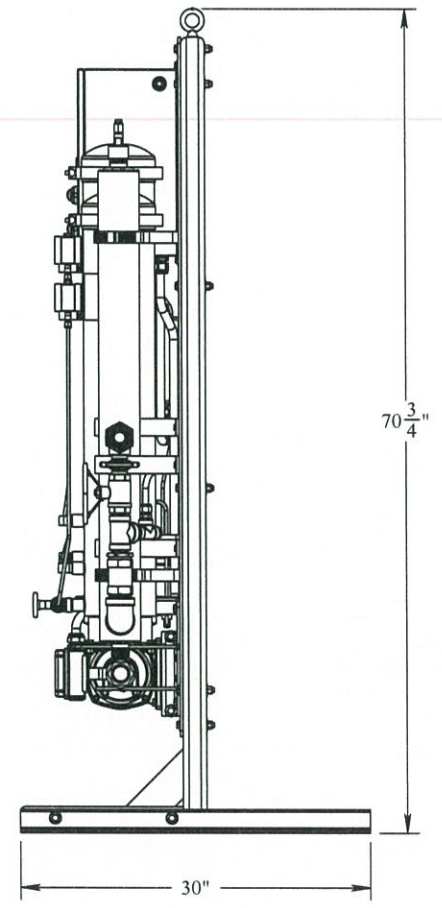
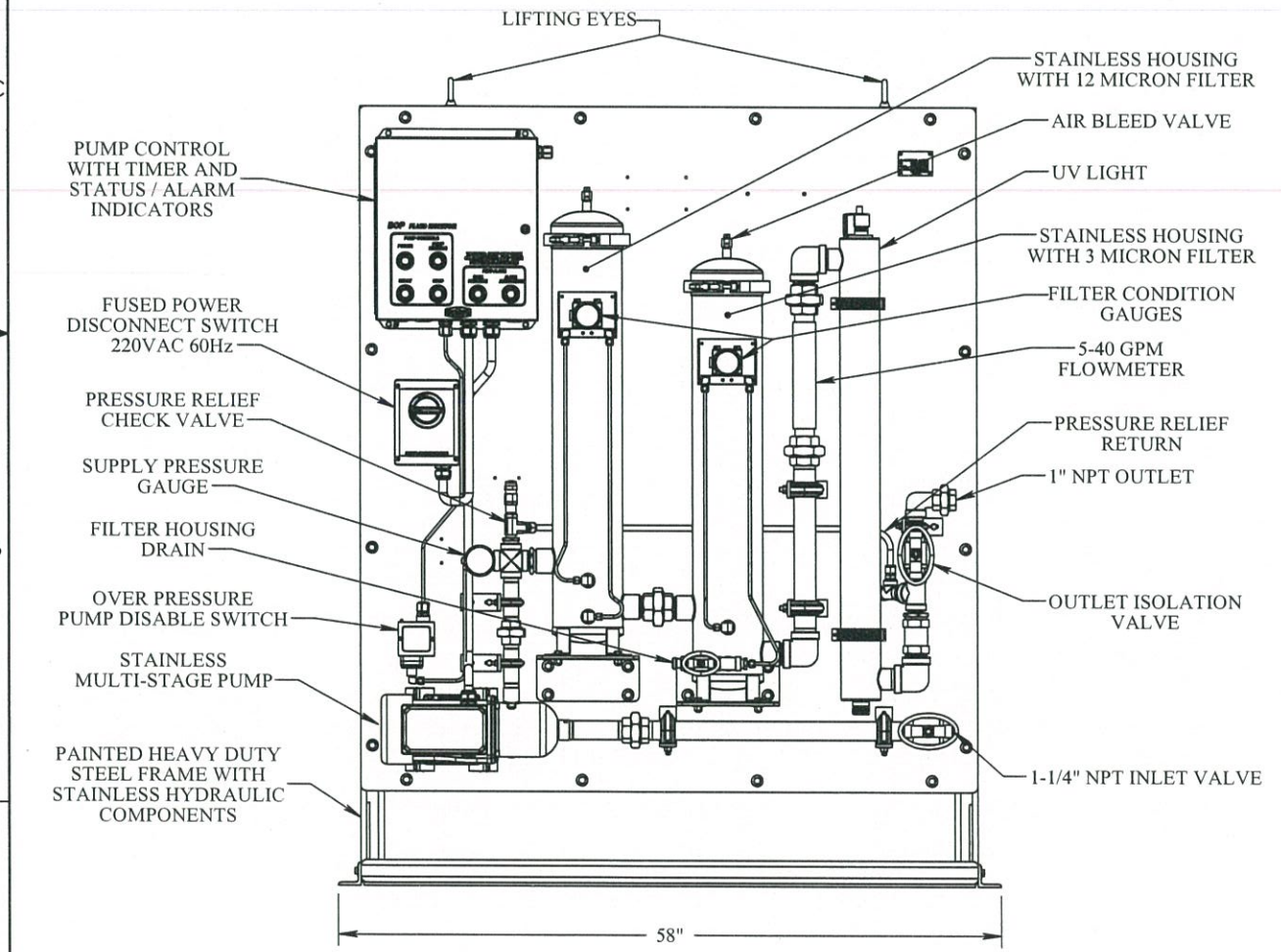
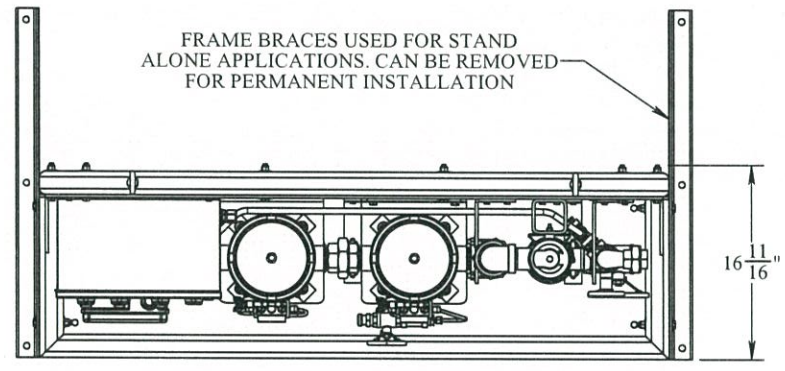


REVISIONS				
REV.	DESCRIPTION	ECO #	DATE	APPROVED
B1	RELEASE	2017-062	7/5/17	

TSC-02279-UV-SK SPARES KIT, FLUID FILTRATION PANEL WITH PUMP & UV		
PART NUMBER	DESCRIPTION	QTY.
SE-1847	FILTER, 12 MICRON, 4-1/2"X30", MELT BLOWN POLYPROPYLENE	1
SE-1846	FILTER, 3 MICRON, 4-1/2"X30", MELT BLOWN POLYPROPYLENE	1
SE-1210	FUSE, TIME LAG, 30A, CLASS CC, 600/300 VAC/VDC	2
SE-1288	FUSE, 5 x 20 mm CARTRIDGE, 5 AMPS, 250 VAC FAST ACTING	2

TSC-02279-UV-RK REPAIR KIT, FLUID FILTRATION PANEL WITH PUMP & UV		
PART NUMBER	DESCRIPTION	QTY.
TSC-02279-UV-SK	SPARES KIT, FLUID FILTRATION PANEL WITH PUMP & UV	1
SE-1834	LAMP, UV, 110 WATT, 100-250 VAC, FOR VP950 UV SYSTEM	1
SE-1835	SLEEVE, QUARTZ, FOR VP950 UV SYSTEM	1
SE-1320	O-RING, SEAL, QUARTZ SLEEVE REPLACEMENT TUBE, UV LAMP	2
SE-0832-1	GAUGE, DIFFERENTIAL, FILTER COND., W/ MOUNTING BASE	1



**FILTRATION PANEL WITH PUMP AND UV**

- PUMP CONTROL WITH TIMER AND STATUS / ALARM INDICATORS
- FUSED POWER DISCONNECT SWITCH, 220VAC, SINGLE PHASE, 60Hz
- MULTI-STAGE STAINLESS STEEL PUMP
- DUAL FILTER HOUSINGS, 12 MICRON PRE FILTER, 3 MICRON POST FILTER
- FILTER CONDITION GAUGES
- 5 - 40 GPM FLOWMETER
- SUPPLY PRESSURE GAUGE
- OVER PRESSURE BYPASS CHECK VALVE
- OVER PRESSURE PUMP DISABLE SWITCH
- UV LIGHT (ULTRAVIOLET GERMICIDAL IRRADIATION)
- 1-1/4" NPT INLET CONNECTION, 1" NPT OUTLET CONNECTION
- 100 PSI MAXIMUM WORKING PRESSURE
- PAINTED HEAVY DUTY FRAME WITH STAINLESS HYDRAULIC COMPONENTS

<b>PROPRIETARY AND CONFIDENTIAL:</b> THE INFORMATION CONTAINED IN THIS DRAWING IS THE SOLE PROPERTY OF THE SUBSEA COMPANY INC. ANY REPRODUCTION IN PART OR AS A WHOLE WITHOUT THE WRITTEN PERMISSION OF THE SUBSEA COMPANY INC IS PROHIBITED.	WORKMANSHIP STANDARD PER WI 751-001	NAME: <i>Corey</i> DATE: <i>7-28-17</i> CHECKED: <i>RL</i> DATE: <i>7-28-17</i> APPROVED: <i>RSN</i> DATE: <i>7-28-17</i>	<b>THE SUBSEA COMPANY INC</b>
	UNLESS OTHERWISE SPECIFIED: ALL DIMENSIONS ARE IN INCHES	SIZE: <b>B</b> TITLE: FLUID FILTRATION PANEL WITH PUMP & UV	
3RD ANGLE PROJECTION:	INTERPRET GEOMETRIC TOLERANCING PER: ASME Y14.5	DWG. NO. TSC-02279-UV-GA	SHEET 1 OF 1