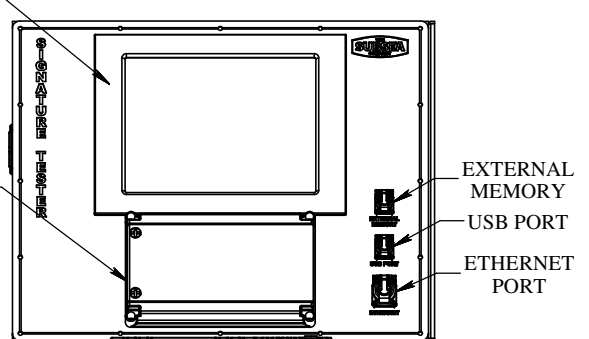
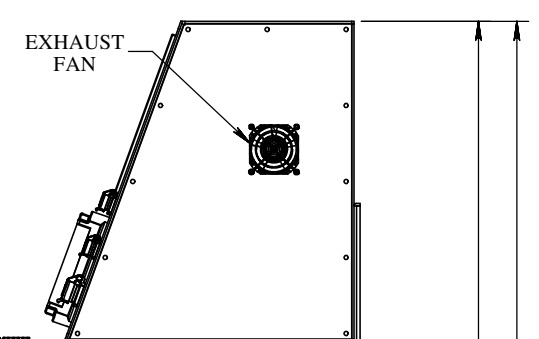
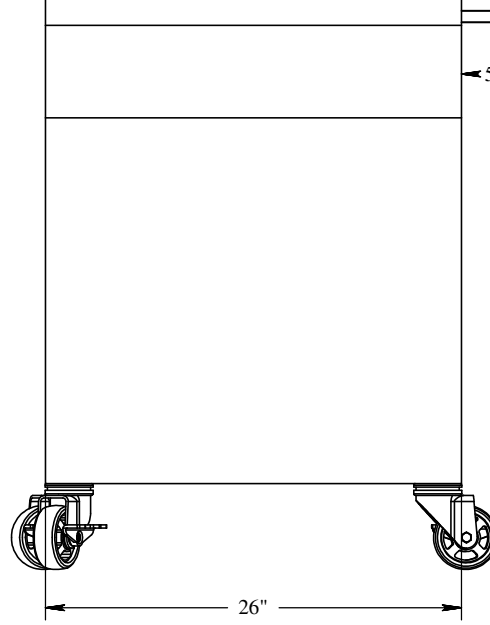


COMPUTER W/ 15" INTEGRATED TOUCHSCREEN (IP65 RATED)

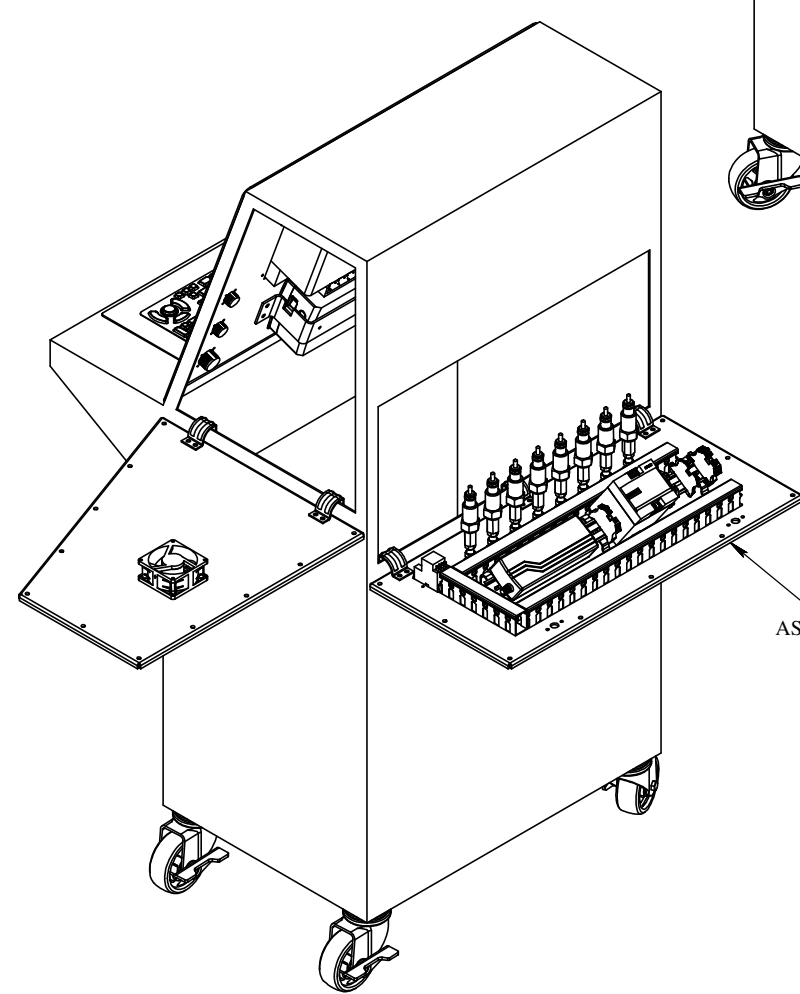
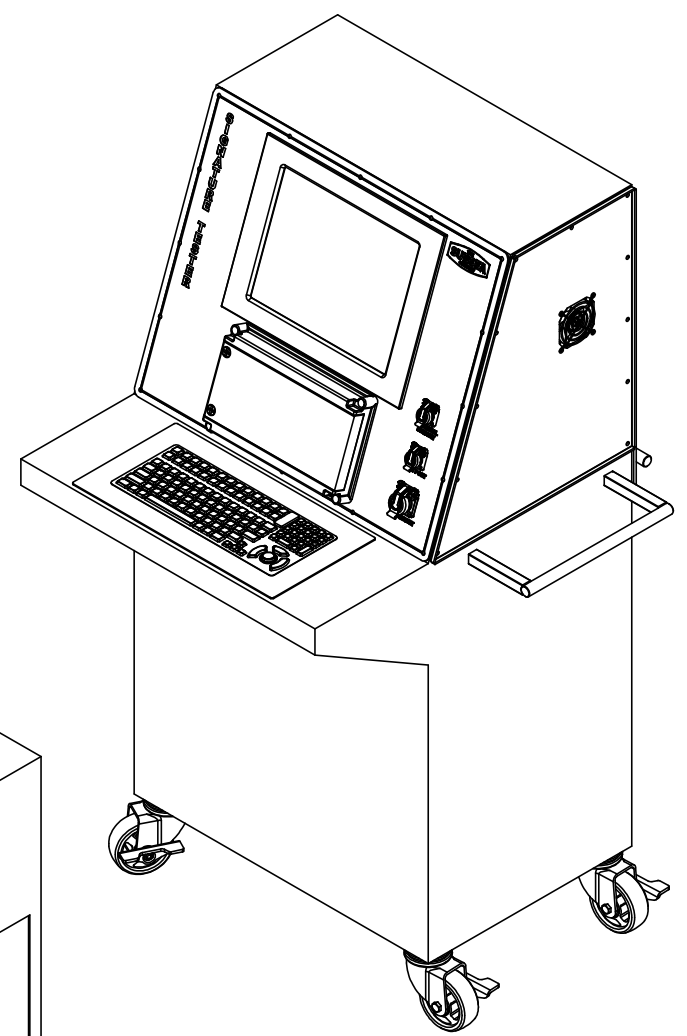
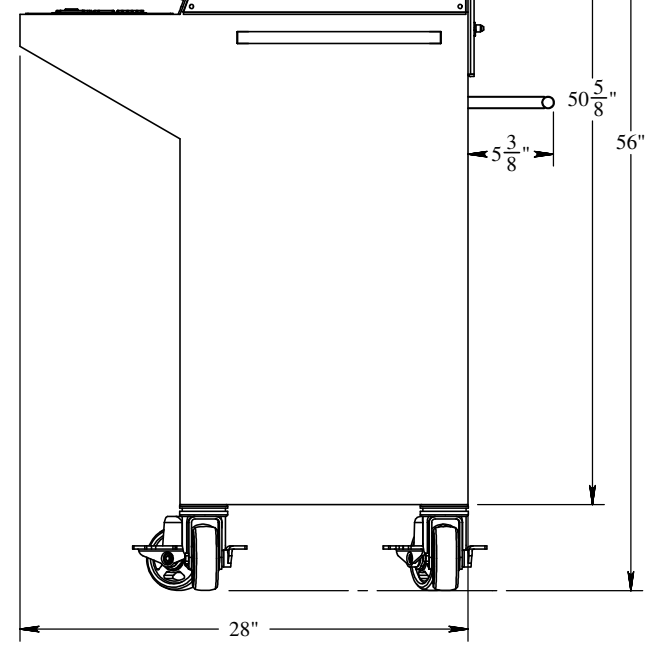
CLEAR COVER (IP65 RATED) PROTECTING THE MIDI LOGGER



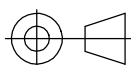
5 3/8"



50 5/8"
56"
5 3/8"



PROPRIETARY AND CONFIDENTIAL:
THE INFORMATION CONTAINED IN THIS DRAWING IS THE SOLE PROPERTY OF THE SUBSEA COMPANY INC. ANY REPRODUCTION IN PART OR AS A WHOLE WITHOUT THE WRITTEN PERMISSION OF THE SUBSEA COMPANY INC IS PROHIBITED.

3RD ANGLE PROJECTION:



INTERPRET GEOMETRIC TOLERANCING PER: ASME Y14.5

WORKMANSHIP STANDARD PER WI 751-001

UNLESS OTHERWISE SPECIFIED:
ALL DIMENSIONS ARE IN INCHES

WEIGHT: 180.55 LBS.

	NAME	DATE
DRAWN	GREG	5/14/18
CHECKED		
APPROVED	ANDY	5/14/18

 THE SUBSEA COMPANY INC		REV
SIZE	TITLE:	REV
B	SIGNATURE TESTER CART ASSEMBLY	X1
DWG. NO. TSC-01928-GA		SHEET 1 OF 1