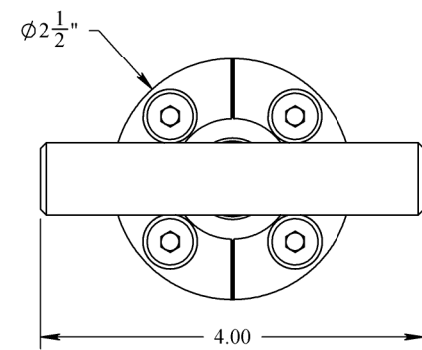
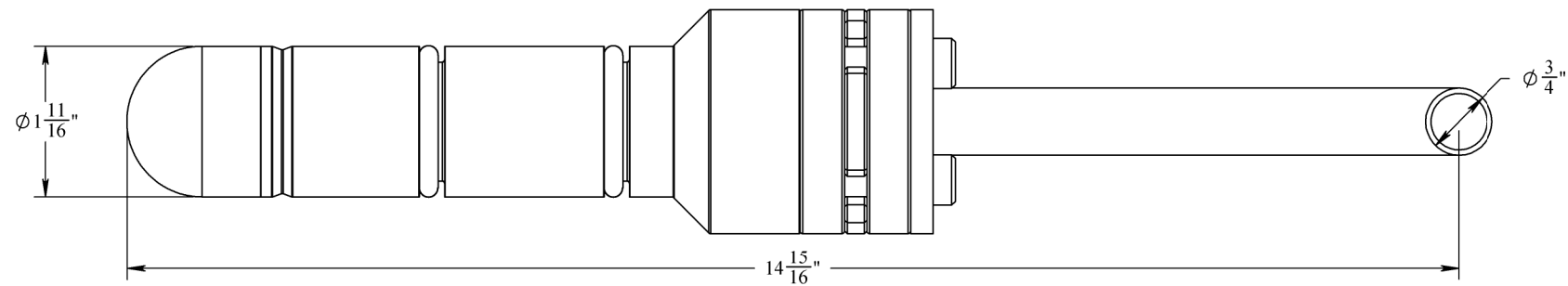
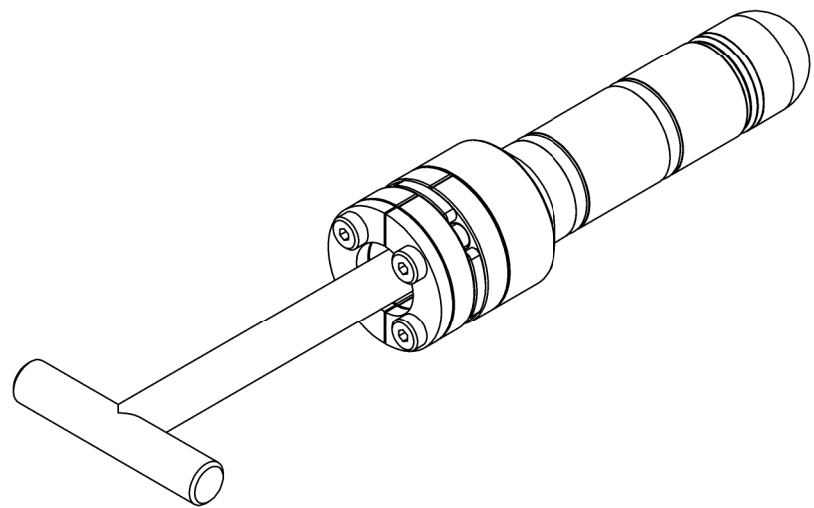
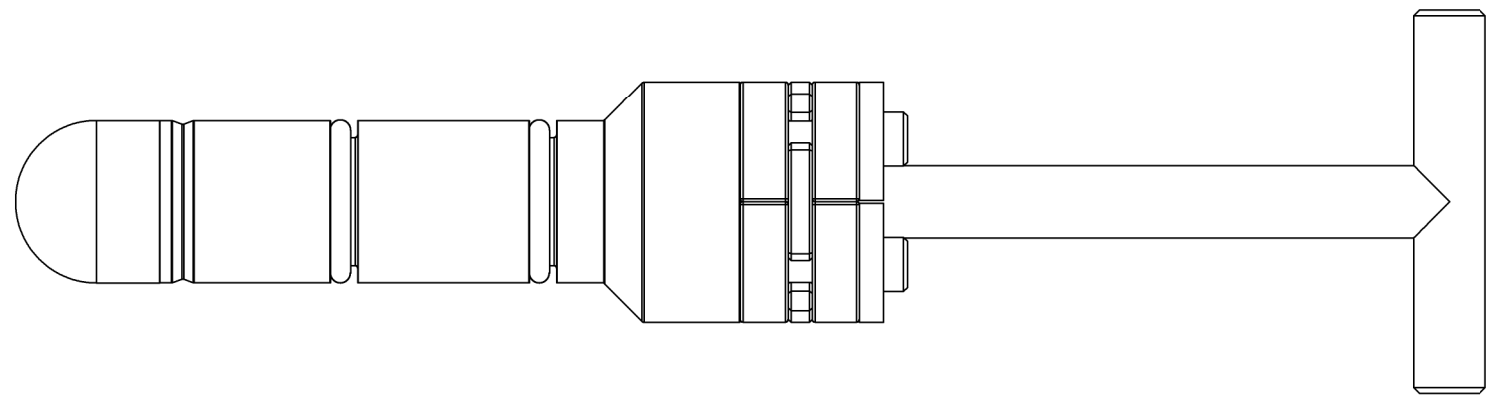


REVISIONS				
REV.	DESCRIPTION	ECO #	DATE	APPROVED
A1	RELEASE	2017-058	6/29/2017	



**NOTES:**

- MATERIAL OF CONSTRUCTION: ROV STAB
  - MAIN BODY IS NITRONIC 60
  - HANDLE AND HARDWARE ARE 316 STAINLESS STEEL
  - DESIGNED TO API 17H TYPE B STANDARDS
- NON-PORTED
- WEIGHT: 6.6 LBS.

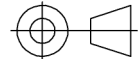
**PROPRIETARY AND CONFIDENTIAL:**  
 THE INFORMATION CONTAINED IN THIS DRAWING IS THE SOLE PROPERTY OF THE SUBSEA COMPANY INC. ANY REPRODUCTION IN PART OR AS A WHOLE WITHOUT THE WRITTEN PERMISSION OF THE SUBSEA COMPANY INC IS PROHIBITED.

WORKMANSHIP STANDARD PER W1 751-001

UNLESS OTHERWISE SPECIFIED:  
 ALL DIMENSIONS ARE IN INCHES

WEIGHT: 6.6 LBS.

3RD ANGLE PROJECTION:



INTERPRET GEOMETRIC TOLERANCING PER: ASME Y14.5

	NAME	DATE
DRAWN		
CHECKED		
APPROVED		



SIZE **B** TITLE: ROV DUMMY STAB, NON-PORTED, API 17H, TYPE B, SINGLE

REV **A1**

DWG. NO. TSC-00096-GA

SHEET 1 OF 1