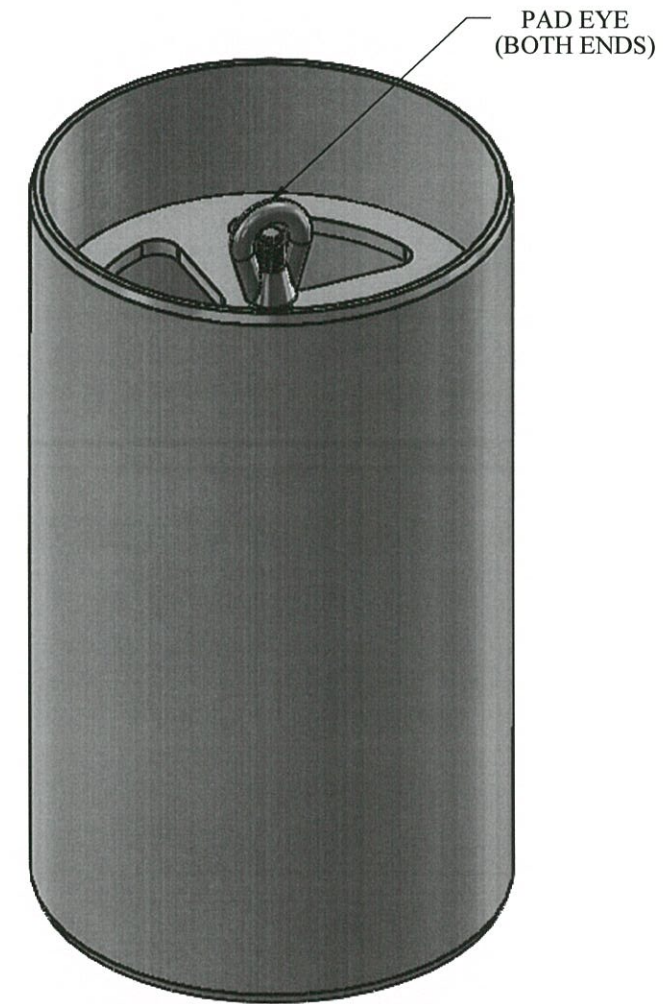
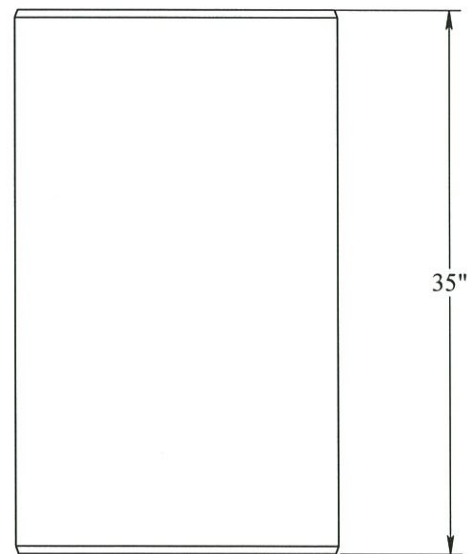
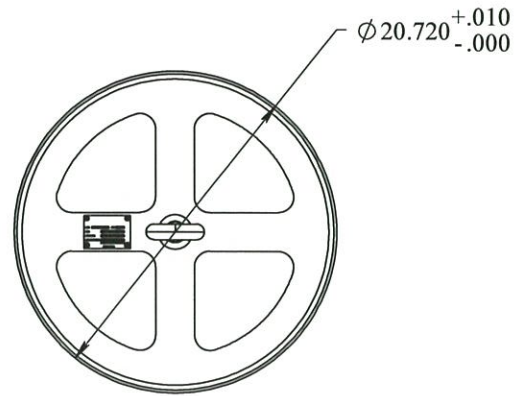


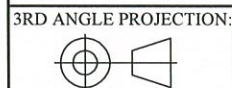
REVISIONS				
REV.	DESCRIPTION	ECO #	DATE	APPROVED
A1	RELEASE	2014-186	6/2/2014	GNB



**DRIFT FEATURES**

1. OUTSIDE DIAMETER 20.720 +.010-.000 IAW API 16A
2. PAD EYE - BOTH ENDS
3. WORKING LOAD 3,000 LBS.
4. PULL TESTED TO 4,500 LBS.
5. APPROX. WEIGHT: 548 LBS.
6. MILD STEEL CONSTRUCTION (36 KSI)
7. MANUFACTURED TO THE SUBSEA COMPANY STANDARD QUALITY PLAN
8. DRIFT IS DESIGNED FOR SURFACE TESTING ONLY

**PROPRIETARY AND CONFIDENTIAL:**  
 THE INFORMATION CONTAINED IN THIS DRAWING IS THE SOLE PROPERTY OF THE SUBSEA COMPANY INC. ANY REPRODUCTION IN PART OR AS A WHOLE WITHOUT THE WRITTEN PERMISSION OF THE SUBSEA COMPANY INC IS PROHIBITED.



INTERPRET GEOMETRIC TOLERANCING PER: ASME Y14.5

WORKMANSHIP STANDARD PER WI 751-001

UNLESS OTHERWISE SPECIFIED: ALL DIMENSIONS ARE IN INCHES

	NAME	DATE
DRAWN	BPS	6/2/2014
CHECKED	GREG	6-9-14
Q.A.		
MFG APPR.		

**THE SUBSEA COMPANY** THE SUBSEA COMPANY INC

SIZE	TITLE:	REV
<b>B</b>	DRIFT, 20-3/4" API, 35" BODY, PAD EYE	<b>A1</b>

DO NOT SCALE DRAWING

DWG. NO. TSC-02140-GA

SHEET 1 OF 1