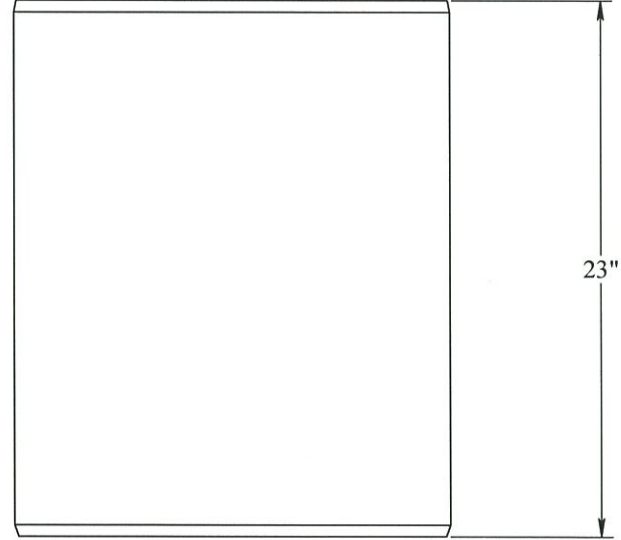
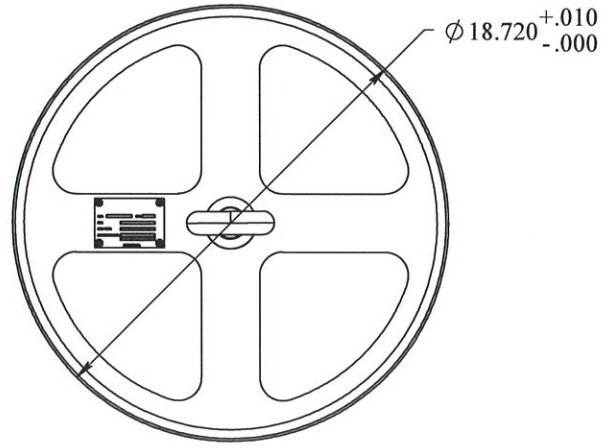


8 7 6 5 4 3 2 1

REVISIONS				
REV.	DESCRIPTION	ECO #	DATE	APPROVED
A1	RELEASE	2014-162	5/20/2014	CNB



**DRIFT FEATURES**

1. OUTSIDE DIAMETER 18.720 +.010-.000 IAW API 16A
2. PAD EYE - BOTH ENDS
3. WORKING LOAD 3,000 LBS.
4. PULL TESTED TO 4,500 LBS.
5. APPROX. WEIGHT: 301 LBS.
6. MILD STEEL CONSTRUCTION (36 KSI)
7. DESIGNED TO THE SUBSEA COMPANY STANDARD QUALITY PLAN
8. DRIFT IS DESIGNED FOR SURFACE TESTING ONLY

**PROPRIETARY AND CONFIDENTIAL:**  
 THE INFORMATION CONTAINED IN THIS DRAWING IS THE SOLE PROPERTY OF THE SUBSEA COMPANY INC. ANY REPRODUCTION IN PART OR AS A WHOLE WITHOUT THE WRITTEN PERMISSION OF THE SUBSEA COMPANY INC IS PROHIBITED.

3RD ANGLE PROJECTION:

INTERPRET GEOMETRIC TOLERANCING PER: ASME Y14.5

WORKMANSHIP STANDARD PER WI 751-001

UNLESS OTHERWISE SPECIFIED: ALL DIMENSIONS ARE IN INCHES

	NAME	DATE
DRAWN	BPS	5/20/14
CHECKED	CRC	6-9-14
Q.A.		6/11/14
MFG APPR.	TR	6/12/14

		<b>THE SUBSEA COMPANY INC</b>	
SIZE	TITLE:	REV	
<b>B</b>	DRIFT, 18-3/4" API, 23" BODY, PAD EYE	<b>A1</b>	
DO NOT SCALE DRAWING		DWG. NO.	TSC-02107-GA
		SHEET 1 OF 1	

D  
C  
B  
A

D  
C  
B  
A

8 7 6 5 4 3 2 1