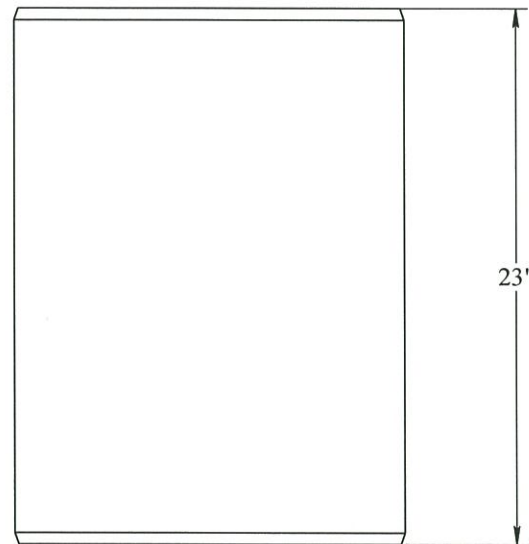
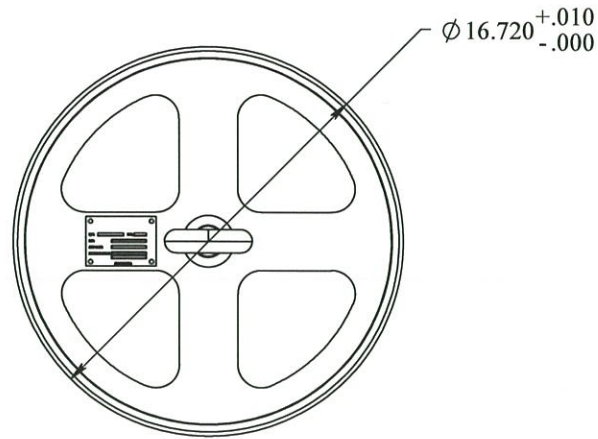



REVISIONS				
REV.	DESCRIPTION	ECO #	DATE	APPROVED
A1	RELEASE	2014-164	5/20/2014	GNB



DRIFT FEATURES

1. OUTSIDE DIAMETER 16.720 +.010-.000 IAW API 16A
2. PAD EYE - BOTH ENDS
3. WORKING LOAD 3,000 LBS.
4. PULL TESTED TO 4,500 LBS.
5. APPROX. WEIGHT: 282 LBS.
6. MILD STEEL CONSTRUCTION (36 KSI)
7. MANUFACTURED TO THE SUBSEA COMPANY STANDARD QUALITY PLAN
8. DRIFT IS DESIGNED FOR SURFACE TESTING ONLY

PROPRIETARY AND CONFIDENTIAL:
 THE INFORMATION CONTAINED IN THIS DRAWING IS THE SOLE PROPERTY OF THE SUBSEA COMPANY INC. ANY REPRODUCTION IN PART OR AS A WHOLE WITHOUT THE WRITTEN PERMISSION OF THE SUBSEA COMPANY INC IS PROHIBITED.


3RD ANGLE PROJECTION:


INTERPRET GEOMETRIC TOLERANCING PER: ASME Y14.5

WORKMANSHIP STANDARD PER WI 751-001

UNLESS OTHERWISE SPECIFIED:
 ALL DIMENSIONS ARE IN INCHES

	NAME	DATE
DRAWN	BPS	05/20/14
CHECKED	CRG	6-9-14
Q.A.	R	6/11/14
MFG APPR.	TJ	6/12/14

 THE SUBSEA COMPANY INC		REV
SIZE	TITLE:	A1
B	DRIFT, 16-3/4" API, 23" BODY, PAD EYE	
DWG. NO. TSC-02104-GA		SHEET 1 OF 1

DO NOT SCALE DRAWING