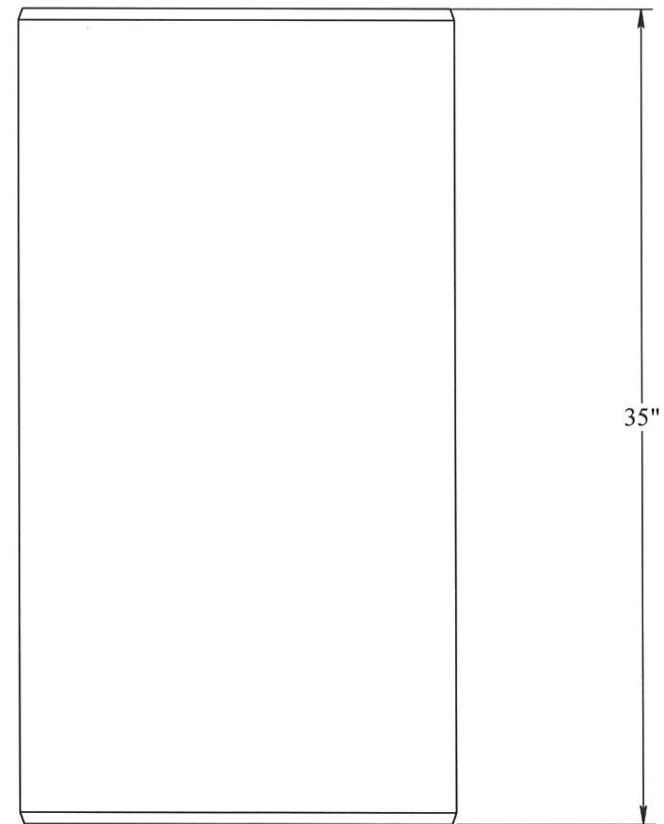
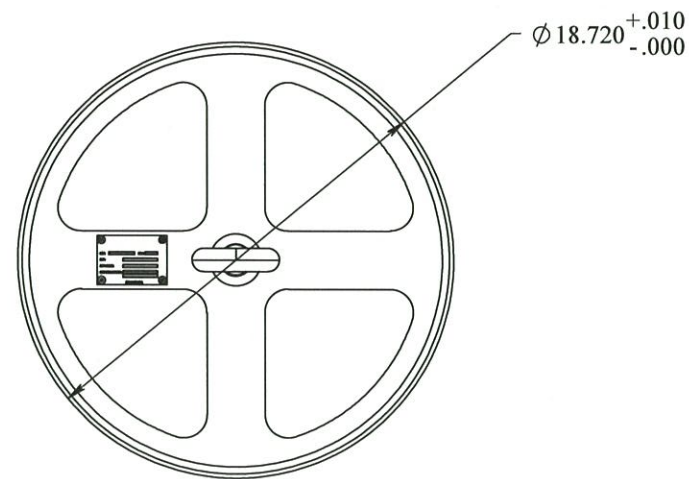


8 7 6 5 4 3 2 1

REVISIONS				
REV.	DESCRIPTION	ECO #	DATE	APPROVED
A1	RELEASE	2014-188	6/2/2014	CMB



DRIFT FEATURES

1. OUTSIDE DIAMETER 18.720 +.010-.000 IAW API 16A
2. PAD EYE - BOTH ENDS
3. WORKING LOAD 3,000 LBS.
4. PULL TESTED TO 4,500 LBS.
5. APPROX. WEIGHT: 469 LBS.
6. MILD STEEL CONSTRUCTION (36 KSI)
7. MANUFACTURED TO THE SUBSEA COMPANY STANDARD QUALITY PLAN
8. DRIFT IS DESIGNED FOR SURFACE TESTING ONLY

PROPRIETARY AND CONFIDENTIAL:
 THE INFORMATION CONTAINED IN THIS DRAWING IS THE SOLE PROPERTY OF THE SUBSEA COMPANY INC. ANY REPRODUCTION IN PART OR AS A WHOLE WITHOUT THE WRITTEN PERMISSION OF THE SUBSEA COMPANY INC IS PROHIBITED.

3RD ANGLE PROJECTION:

INTERPRET GEOMETRIC TOLERANCING PER: ASME Y14.5

WORKMANSHIP STANDARD PER WI 751-001

UNLESS OTHERWISE SPECIFIED: ALL DIMENSIONS ARE IN INCHES

	NAME	DATE
DRAWN	BPS	6/2/14
CHECKED	CMB	6-10-14
Q.A.		
MFG APPR.		6/11/14

		THE SUBSEA COMPANY INC	
SIZE	TITLE:	REV	
B	DRIFT, 18.75" API, 35" BODY, PAD EYE	A1	
DO NOT SCALE DRAWING		DWG. NO.	TSC-01429-GA
		SHEET 1 OF 1	

8 7 6 5 4 3 2 1