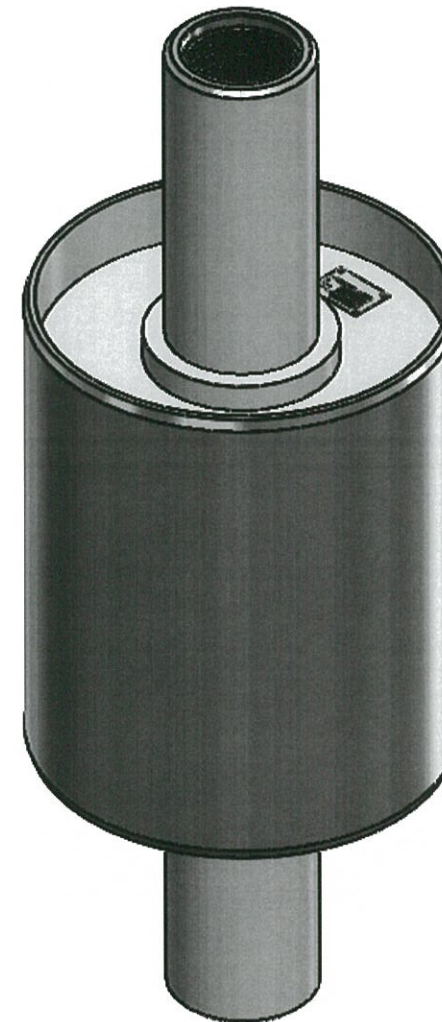
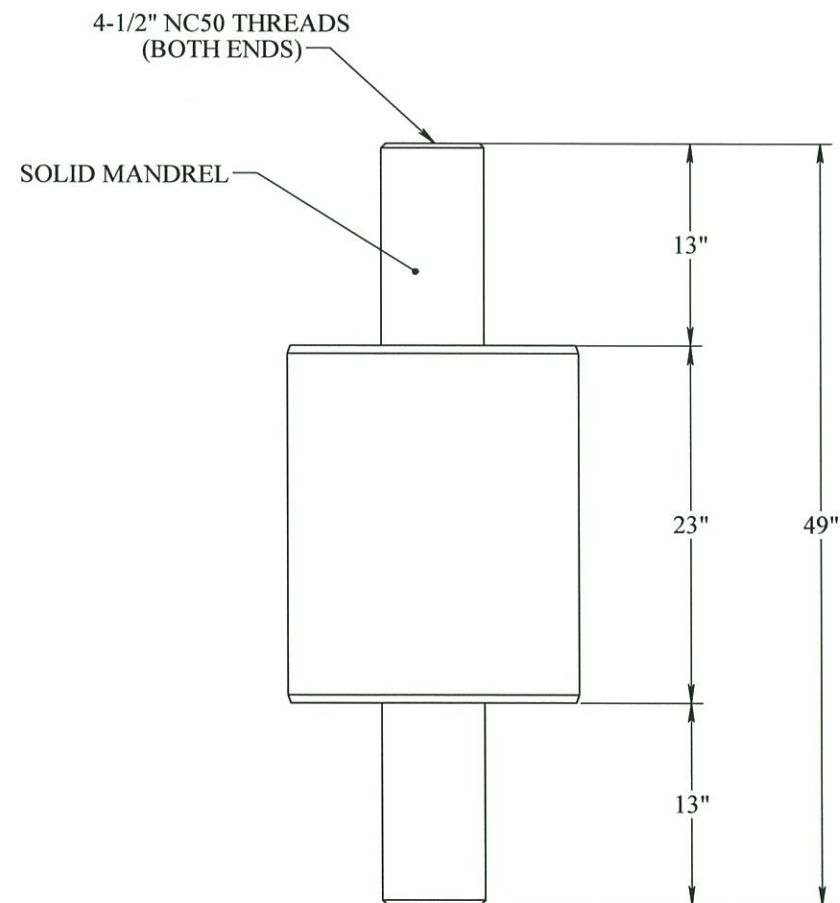
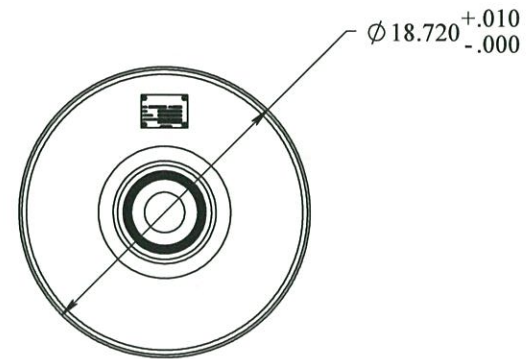



REVISIONS				
REV.	DESCRIPTION	ECO #	DATE	APPROVED
A1	RELEASE	2013-422	11/6/2013	GNB
A2	ADDED NOTE "SOLID MANDREL" AND NOTES 7 & 8.	2013-434	11/11/2013	
A3	ADDED TONG TOOL SPACING NOTE	2014-172	5/28/2014	<i>Chab</i>



**DRIFT FEATURES**

1. OUTSIDE DIAMETER 18.720 +.010-.000
2. 4-1/2" NC50 BOX x BOX
3. DESIGNED IAW WITH API SPECIFICATION 7, MEETS OR EXCEEDS REQUIREMENTS OF TABLE 7
4. MAKE-UP WITH CHAIN TONGS
5. WORKING LOAD 10,000 LBS
6. PULL TESTED TO 15,000 LBS
7. APPROXIMATE WEIGHT: 1032 LBS
8. MILD STEEL CONSTRUCTION (36 KSI)
9. DRIFT IS DESIGNED FOR SURFACE TESTING ONLY

**PROPRIETARY AND CONFIDENTIAL:**  
 THE INFORMATION CONTAINED IN THIS DRAWING IS THE SOLE PROPERTY OF THE SUBSEA COMPANY INC. ANY REPRODUCTION IN PART OR AS A WHOLE WITHOUT THE WRITTEN PERMISSION OF THE SUBSEA COMPANY INC IS PROHIBITED.

3RD ANGLE PROJECTION:  


INTERPRET GEOMETRIC TOLERANCING PER: ASME Y14.5

WORKMANSHIP STANDARD PER WI 751-001

UNLESS OTHERWISE SPECIFIED:  
 ALL DIMENSIONS ARE IN INCHES

	NAME	DATE
DRAWN	TLC	5/28/14
CHECKED	GNB	6/10/14
Q.A.		
MFG APPR.	<i>TPH</i>	6/12/14

<b>THE SUBSEA COMPANY</b>		<b>THE SUBSEA COMPANY INC</b>	
SIZE <b>B</b>	TITLE: DRIFT, 18-3/4" API, 23" BODY, 4-1/2" NC50 BOX x BOX	DWG. NO. TSC-01108-GA	REV <b>A3</b>
DO NOT SCALE DRAWING		SHEET 1 OF 1	